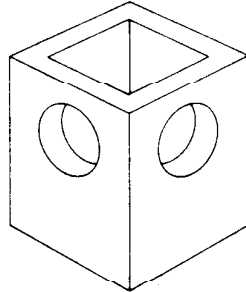




Connecticut Precast Corp.

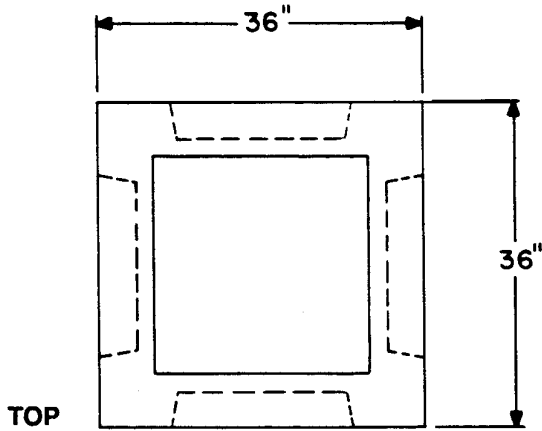
555 Fan Hill Road, Monroe, CT 06468

Telephone (203) 268-8688



Catch Basin

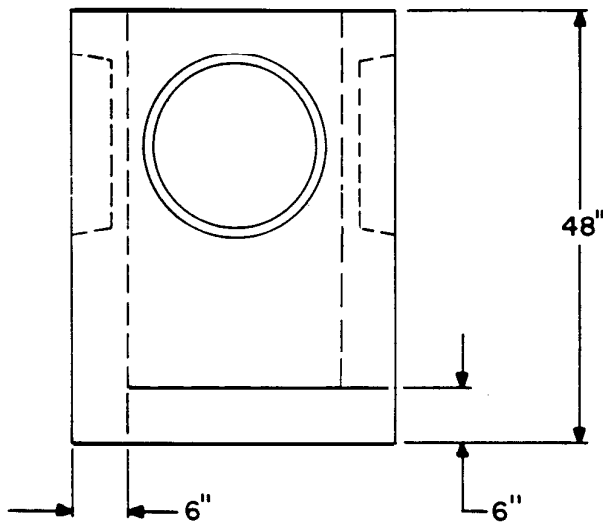
2' x 2' Area Drain
6" Wall



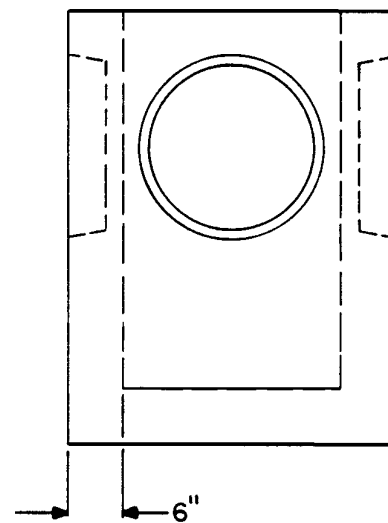
TOP

Design Notes

1. Reinforced 6 x 6 x 10 gauge mesh or to specifications.
2. Grate - steel or CI or to specifications.
3. K.O.'s can be made to specific measurements.
4. Approximate weights:
3'.....2100 lbs.
4'.....2800 lbs.



FRONT



SIDE