

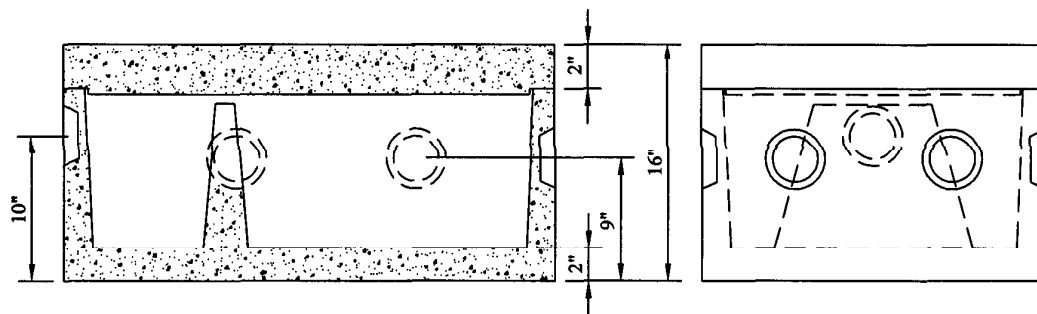
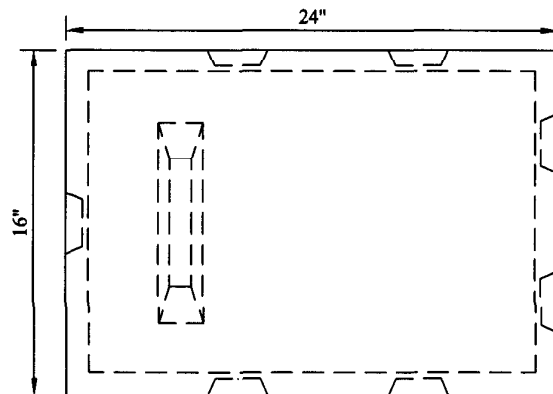
Connecticut Precast Corp.

555 Fan Hill Road, Monroec, CT 06468 Telephone (203) 268-8688

Fax (203) 452-1007

# Distribution Boxes

DB-6 (6 Outlets)



**NOTES:**

1. Minimum Concrete Compressive Strength: 4,000 PSI @ 28 Days.
2. Equipped with Polypropylene pipe seals.
3. Reinforced with #3 bars.