

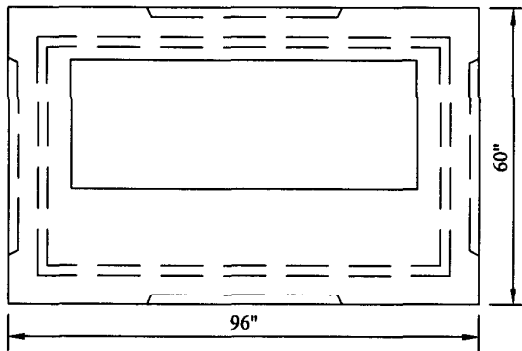
Connecticut Precast Corp.

555 Fan Hill Road, Monroe, CT 06468

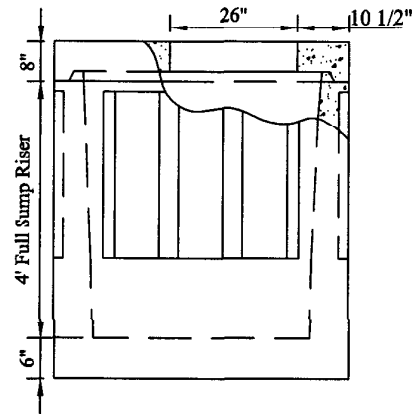
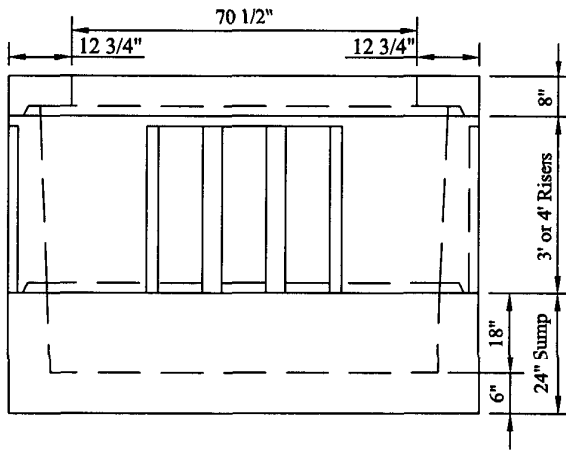
Telephone (203) 268-8688

Fax (203) 452-1007

# Catch Basins



Connecticut State Highway Department  
Standard Double Type 2 - 6" wall



**NOTES:**

1. Minimum Concrete Compressive Strength: 4,000 PSI @ 28 Days.
2. Design Loading: AASHTO HS-20.
3. Materials meet or exceed ASTM C478 and CTDOT Specifications.
4. Steel reinforced with 4x4x4 mesh.
5. Approximate weights:

Slab top corbel.....	2,600 lbs.
3' riser.....	6,900 lbs.
4' riser.....	9,200 lbs.
18" sump.....	7,800 lbs.
Full sump.....	14,000 lbs.