

Connecticut Precast Corp.

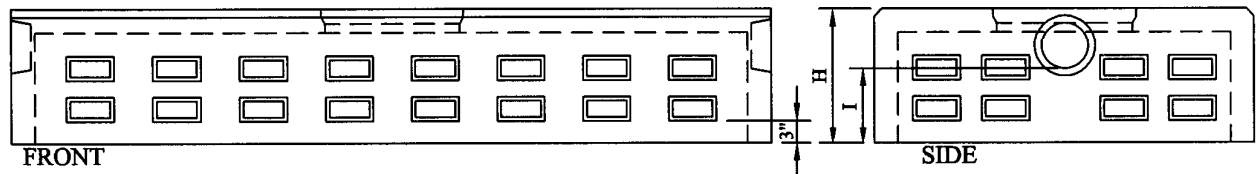
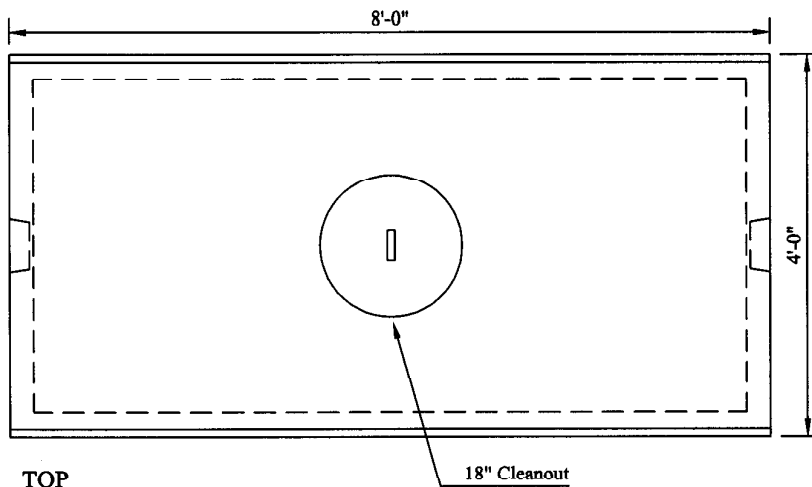
555 Fan Hill Road, Monroe, CT 06468

Telephone (203) 268-8688

Fax (203) 452-1007

Galleries

Low Profile Galleries



Height (in)	Invert (in)	Effective Leaching (SF/LF)	Weight per Unit (Lbs)
12	6	5.9	2000
18	10	6.2	2350
24	16	6.8	2700

NOTES:

1. Minimum Concrete Compressive Strength: 4,000 PSI @ 28 Days.
2. Heavy Duty Available Upon Request.