

Connecticut Precast Corp.

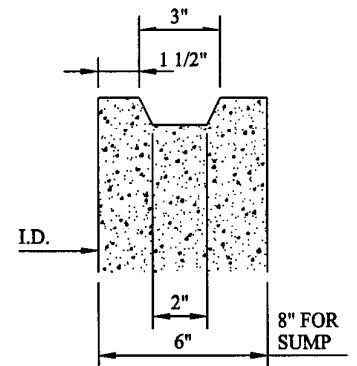
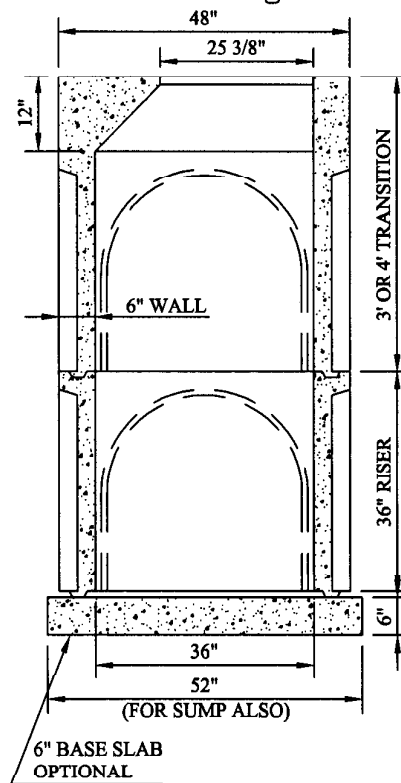
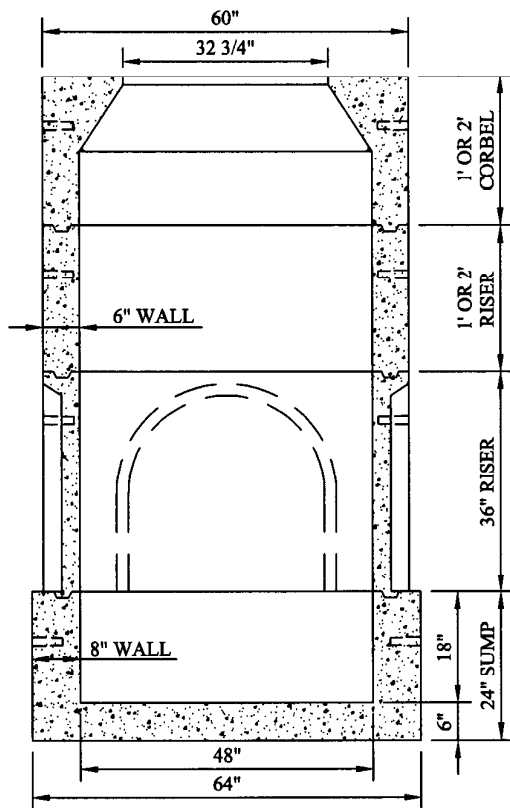
555 Fan Hill Road, Monroe, CT 06468

Telephone (203) 268-8688

Fax (203) 452-1007

Catch Basins

Connecticut State Highway Department
Standard Single Catch Basin - 6" wall



NOTES:

1. Minimum Concrete Compressive Strength: 4,000PSI @ 28 Days.
2. Design Loading: AASHTO HS-20.
3. Meets or exceeds CTDOT Specifications.
4. Steel reinforced with #3 bars.
5. Approximate weights:

6" Base Slab	1700 LBS.
18" Sump	4200 LBS.
36" Riser w/Knockouts	3600 LBS.
3' Transition w/Knockouts	4365 LBS.
4' Transition w/Knockouts	4650 LBS.
1' Riser	1200 LBS.
2' Riser	2400 LBS.
1' Corbel	1965 LBS.
2' Corbel	3200 LBS.

JOINT DETAIL