

Connecticut Precast Corp.

Manufacturers of Concrete Products

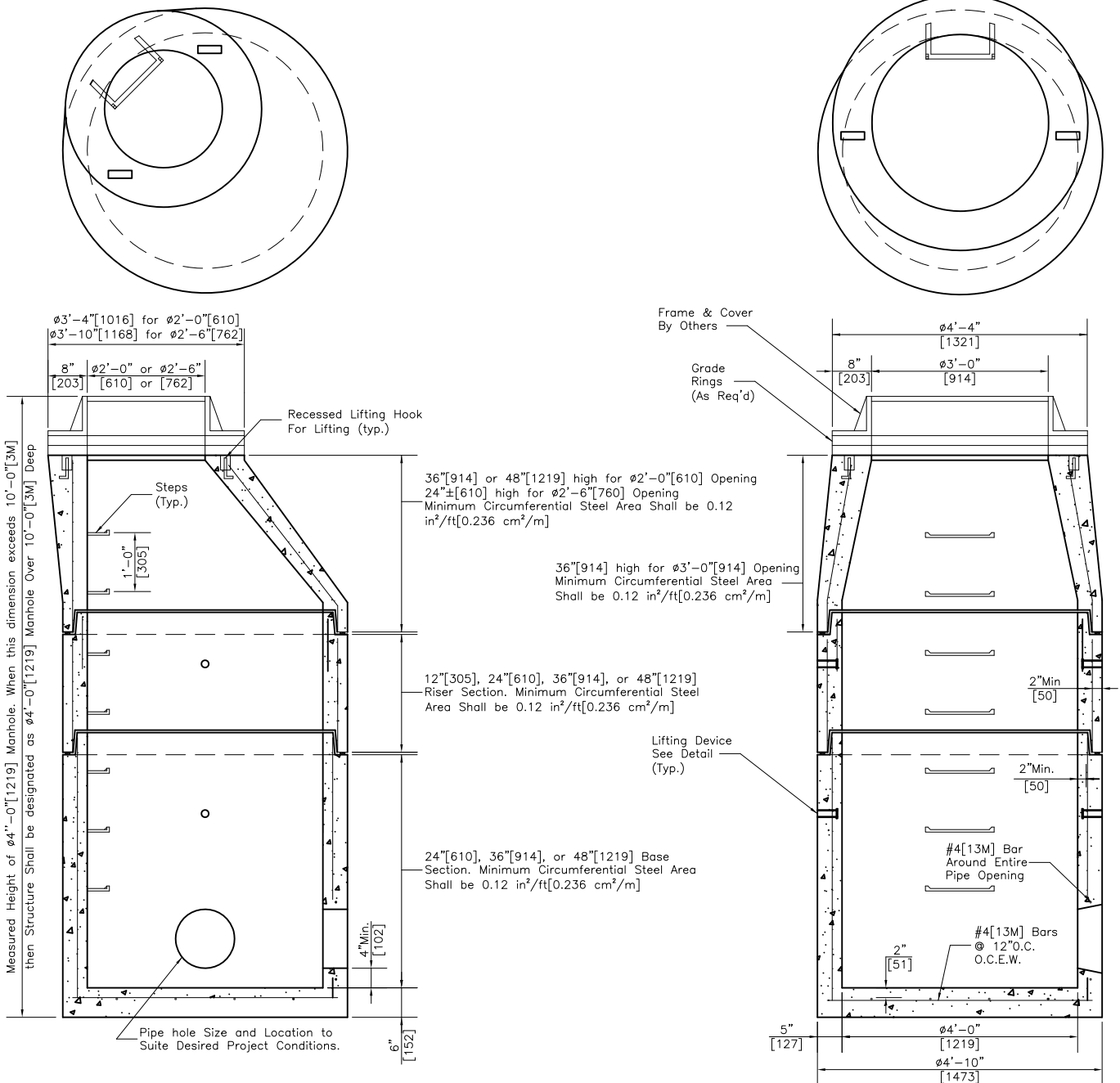
555 Fan Hill Road, Monroe, CT 06468
Telephone (203) 268-8688 Fax (203) 452-1007

www.ctprecast.com

Manholes 48"[1219] Diameter

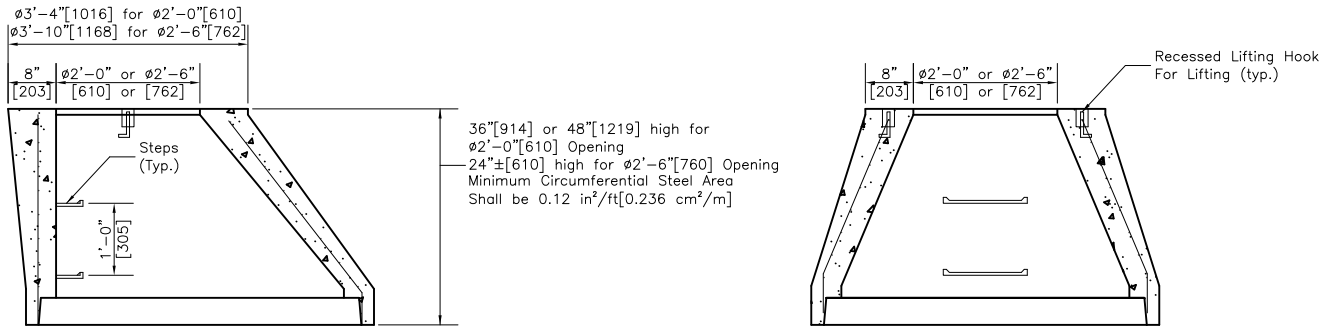
PRECAST CONCRETE
W/STRAIGHT BASE SLAB
TAPERED CONE CONSTRUCTION
(Not CTDOT Approved)

Manholes

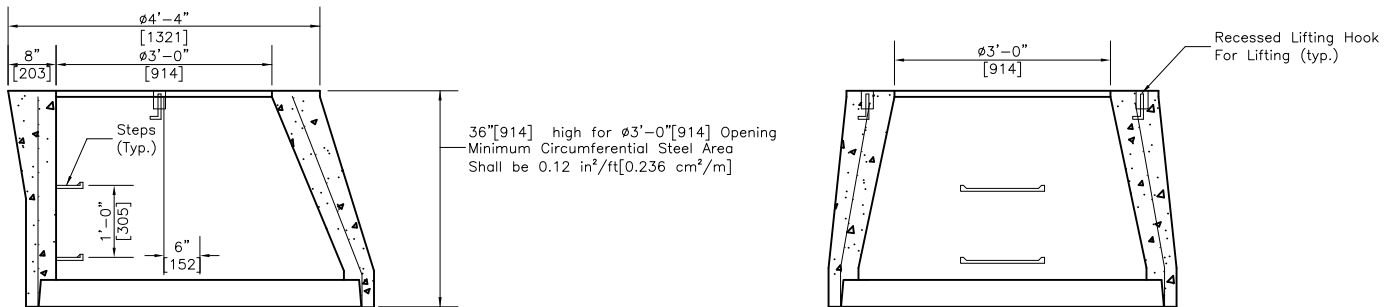


**=Nominal Dimension. Slight variation in dimensions may occur due to tapering for manufacturing purposes.

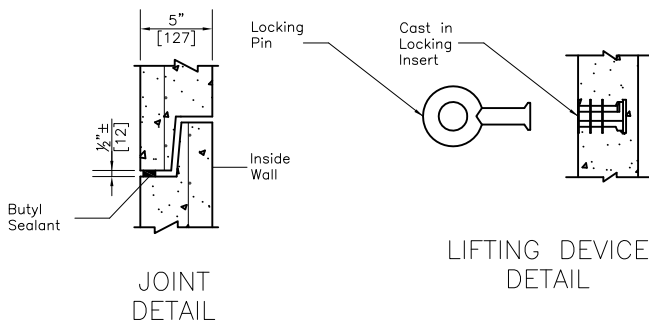
PRECAST CONCRETE 48"[1219] DIAMETER



$\phi 24''$ [610] & $\phi 30''$ [760] Cone Opening



$\phi 36''$ [914] Cone Opening



PRODUCT WEIGHTS		
UNIT	HEIGHT (in/[mm])	WEIGHT (lbs[kg])
BASE SECTION	24"[610]	2,975[1,351]
	36"[914]	3,775[1,714]
	48"[1219]	4,575[2,078]
RISERS	12"[305]	800[363]
	24"[610]	1,600[727]
	36"[914]	2,400[1,090]
CONE SECTION	36"[914] high x24"[610] Open	2,500[1,135]
	48"[1219] high x24"[610] Open	3,200[1,453]
	24"[610] high x30"[762] Open	1,700[772]
	36"[914] high x36"[914] Open	2,400[1,090]

NOTES:

- Minimum Concrete Compressive Strength = 4,000PSI[27,580kPa] shall be obtained prior to shipping.
- Product conforms to ASTM C478 and AASHTO M199 Specifications.
- Steel bar reinforcement shall conform to ASTM A615, Grade 60 with a minimum clear cover of 2"[50].
- Steel welded wire fabric (WWF) reinforcement shall conform to ASTM A185. Minimum circumferential steel area shall be 0.12 in²/ft[0.236 cm²/m] as per ASTM C478.
- All pipe openings to be closed by Contractor using materials conforming to CTDOT Standard Specification M.08.02.
- Butyl joint sealant shall conform to ASTM C990 and/or AASHTO M198.
- Knockouts for pipe openings shall be placed at the required location and height for project. There shall be a minimum 4"[102] distance between knockout and bottom or top of base/riser section. Steel reinforcement shall have minimum 2"[50] clear concrete cover. Maximum size of knockout may be govern by height of required base/riser section.
- Flexible boot connections may be requested for pipe to manhole connections. Pipe size and type to be specified.
- Wall thickness will not change for structure depth over 10'-0"[3M] deep.
- An asphaltic coating can be applied to exterior surfaces of structure if required.

**=Nominal Dimension. Slight variation in dimensions may occur due to tapering for manufacturing purposes.