



Connecticut Precast Corp.

Manufacturers of Concrete Products

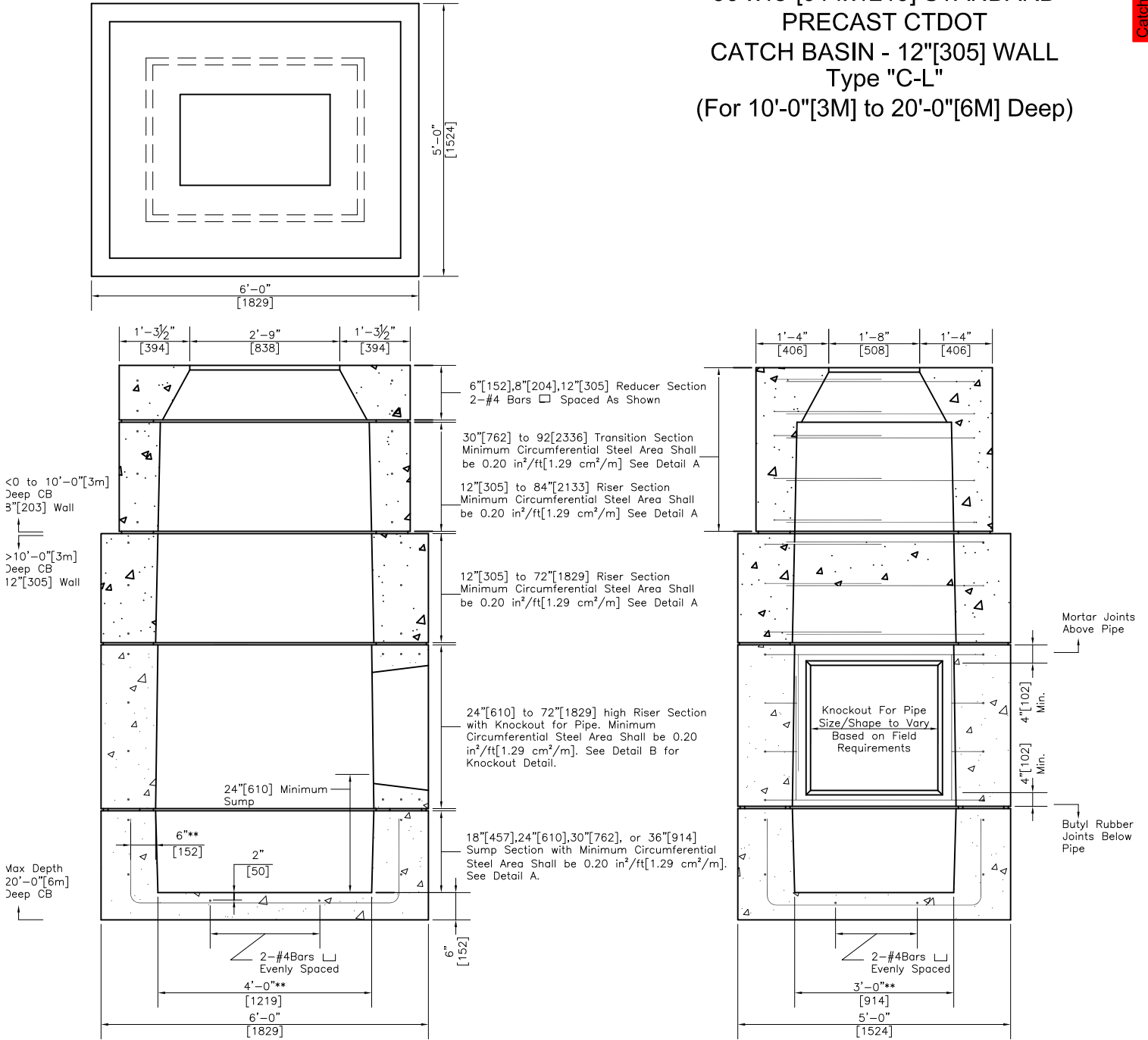
555 Fan Hill Road, Monroe, CT 06468
Telephone (203) 268-8688 Fax (203) 452-1007

www.ctprecast.com

Catch Basins

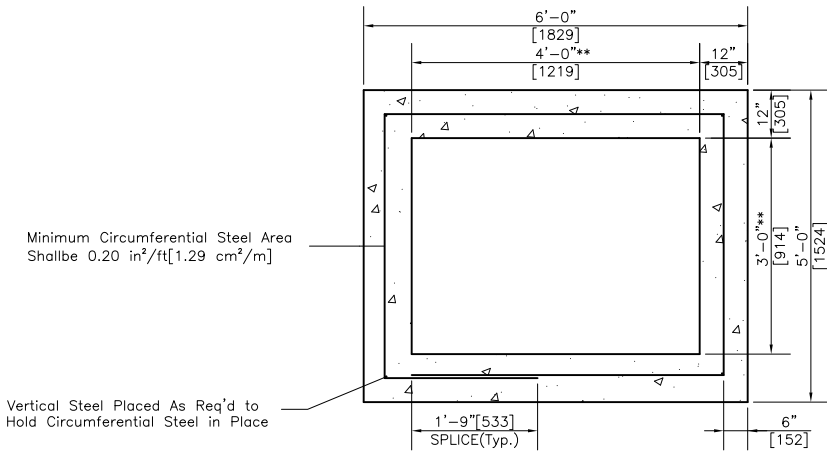
Catch Basin
CTDOT

36"x48"[914x1219] STANDARD
PRECAST CTDOT
CATCH BASIN - 12"[305] WALL
Type "C-L"
(For 10'-0"[3M] to 20'-0"[6M] Deep)

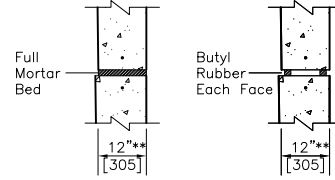


**=Nominal Dimension. Slight variation in dimensions may occur due to tapering for manufacturing purposes.

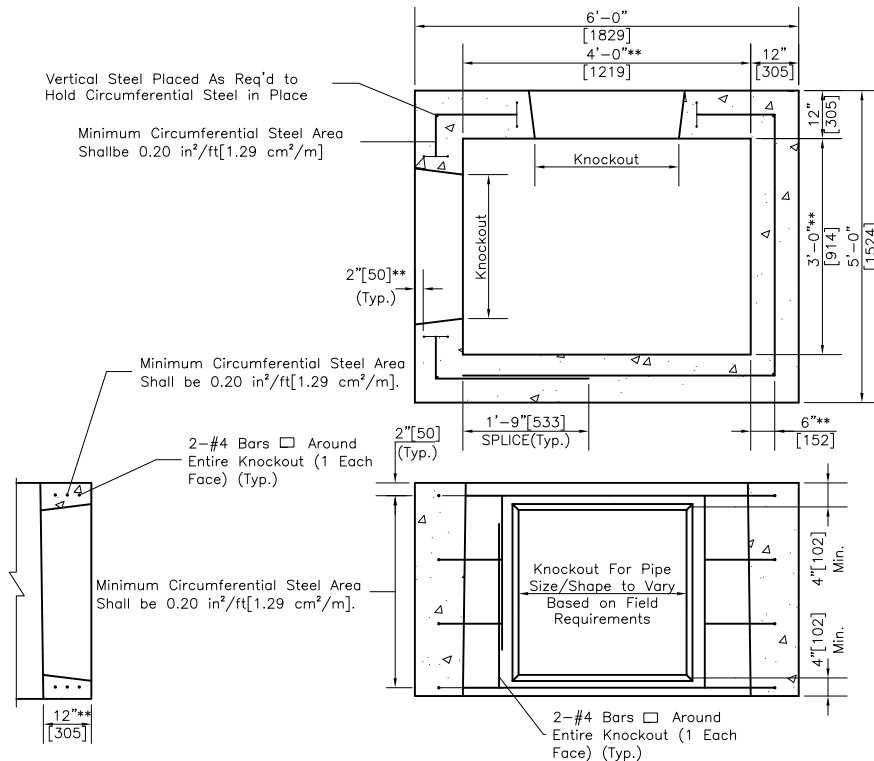
36"x48"[914x1219] STANDARD PRECAST CTDOT CATCH BASIN - 12"[305] WALL



RISER SECTION (Typ.)



JOINT DETAILS



KNOCKOUT DETAIL

PRODUCT WEIGHTS		
UNIT	HEIGHT (in/mm)	WEIGHT (lbs/kg)
BASE SLAB	6" [152]	2,250 [1,022]
RISER	12" [305]	2,700 [1,226]
	18" [457]	4,050 [1,839]
	24" [610]	5,400 [2,452]
	30" [762]	6,750 [3,065]
	36" [914]	8,100 [3,678]
	42" [1060]	9,450 [4,391]
	48" [1219]	10,800 [4,904]
	60" [1525]	13,500 [6,131]
	72" [1828]	16,200 [7,357]
	84" [2133]	18,900 [8,583]

NOTES:

1. Minimum Concrete Compressive Strength = 4,000PSI [27,580kPa] shall be obtained prior to shipping.
2. Product conforms to CTDOT Standard Specification Form 816 and CTDOT Standard Detail HW-507_04.
3. Steel reinforcement shall conform to ASTM A615, Grade 60 with a minimum clear cover of 2" [50].
4. Product to be used for catch basin where dimension from finished top is between 10'-0" [3m] and 20'-0" [6m] deep.
To bring catch basin to finish grade 8" [203] wall product can be placed on top of 12" [305] wall.
5. All pipe openings to be closed by Contractor using materials conforming to CTDOT Standard Specification M.08.02.
6. There shall be no corner entries in risers. Use Standard Round Catch Basin in lieu of.
7. Butyl joint sealant shall conform to ASTM C990 and/or AASHTO M198.
8. Knockouts for pipe openings shall be placed at the required location and height for project. There shall be a minimum 4" [102] distance between knockout and bottom or top of riser/transition. Steel reinforcement shall have minimum 2" [50] clear concrete cover. Maximum size of knockout may be govern by height of required riser/transition section.
9. Drop Inlet to be used when a sump is not required.

**=Nominal Dimension. Slight variation in dimensions may occur due to tapering for manufacturing purposes.