



Connecticut Precast Corp.

555 Fan Hill Road, Monroe, CT 06468

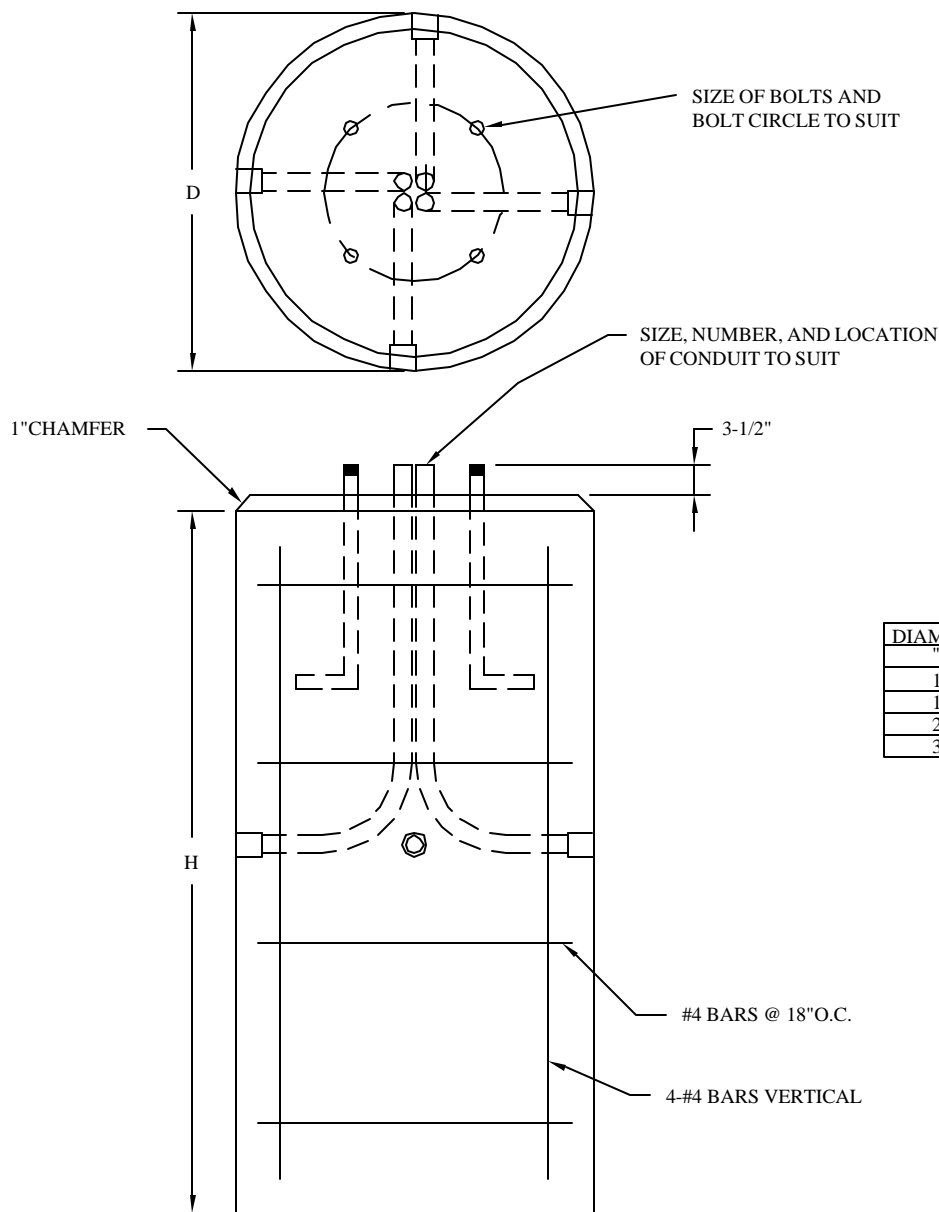
Telephone (203) 268-8688

Fax (203) 452-1007

LIGHT POLE BASE

Design Notes:

1. Concrete - 4,000 PSI @ 28 DAYS
2. Contractor to supply conduit and anchor bolts as required.



| DIAMETER "D" | HEIGHT "H" | WEIGHT (LBS/FT) |
|-----------------|---------------|--------------------|
| 12" | 3' - 8' | 120 |
| 18" | 3' - 8' | 265 |
| 24" | 3' - 8' | 470 |
| 30" | 3' - 8' | 735 |