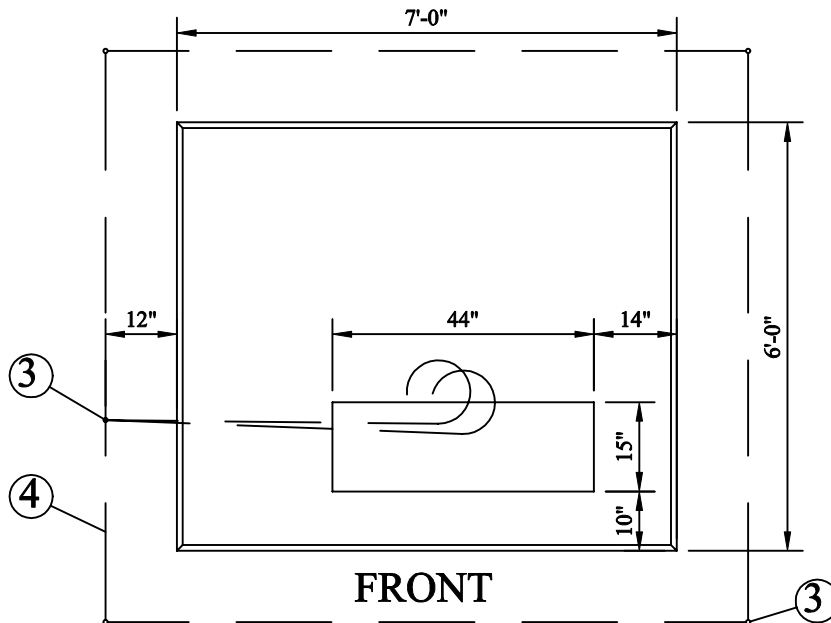
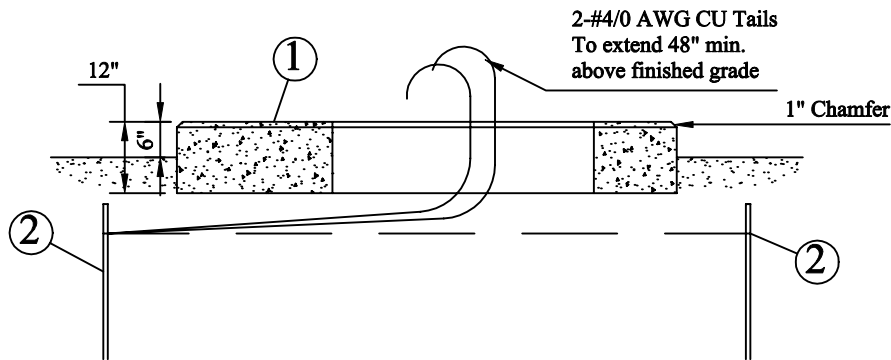


# Utilities



United Illuminating Co.  
 Three Phase Padmount Transformer  
 Foundation - Item #16101-900



List of Materials/ Supplied by Others			
Item	Qty	SYM. NO.	Description
1	1	----	Concrete Foundation - UI #16101-900
2	4	43-87200	Rod Ground CPW 3/4" x 8'
3	5	74-17800	Connector Ground 4/0 Wire - 3/4" Rod
4	55'	96-85000	Wire #4/0 Strand Bare Copper

**NOTES:**

1. Minimum Concrete Compressive Strength: 4,000 PSI @ 28 Days.
2. Stel Reinforcement Grade 40, 1" Minimum concrete cover.
3. Use for 75VKA to 1000 VKA.
4. Contractor shall conform to United Illuminating Co. standard specifications.